

GA9771 HAWTHORNE – SINGLE CYLINDER

HAWTHORNE – SINGLE CYLINDER

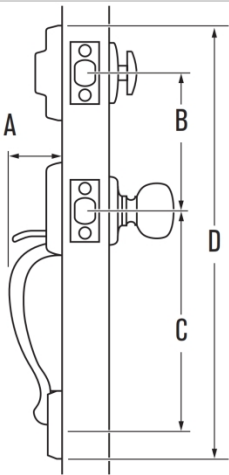


SPECIFICATIONS

DOOR PREP	Deadbolt: Cross Bore 2-1/8" or 1-1/2" Edge Bore 1" Latch Face 1" x 2-1/4" Handle: Cross Bore 2-1/8" Edge Bore 1" Latch Face 1" x 2-1/4"
BACKSET	Adjustable to 2-3/8" or 2-3/4"
DOOR THICKNESS	1-3/8"–1-3/4" doors standard thickness Thick door service part available for up to 2-1/4" Not designed for use on 1-3/8" doors
CYLINDER	Standard SmartKey Kwikset or Weiser 5pin pin & tumbler available
FACEPLATE	1" x 2-1/4" Square, radius corner and drive-in standard
STRIKES	Deadbolt: Cross Bore 1-1/8" x 2-3/4" Specify round corner or square corner Handle: 2-1/4" full lip Specify round corner or square corner Other options available
BOLT	Deadbolt: 1" steel Handle: 1/2" throw. Nickel plated.
DOOR HANDING	Reversible for right or left-hand doors
ANSI/BHMA	A156.5 Grade 1 (for deadbolt)
UL AVAILABILITY	Meets 20 minute with Square, Radius or drive-in latch
ASTM	All Weiser product meets ASTM E 331 water penetration testing

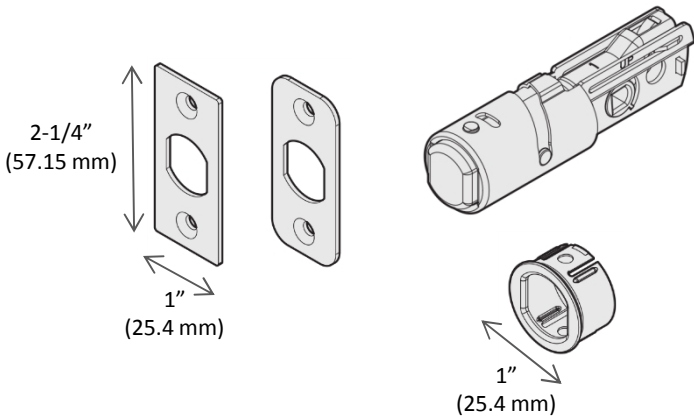
SPECIFICATIONS

PRODUCT DIMENSIONS



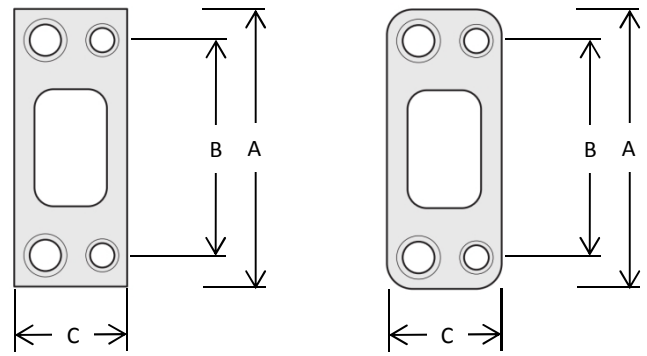
	A	B	C	D
GA9771 HE	2-7/8"	5-1/2"	8-13/32"	17-7/16"

6-WAY ADJUSTABLE LATCH



SQUARE CORNER

RADIUS CORNER



A	2-3/4" (69.85 mm)
B	2-1/8" (53.975 mm)
C	1" (28.321 mm)

PRODUCT AVAILABILITY



		20 min.	Antique Brass	Venetian Bronze	Satin Nickel	Antique Nickel	Satin Chrome
GA9771 HE	Single Cylinder	<input type="checkbox"/>	<input type="checkbox"/>	<input type="checkbox"/>	<input type="checkbox"/>	<input type="checkbox"/>	<input type="checkbox"/>